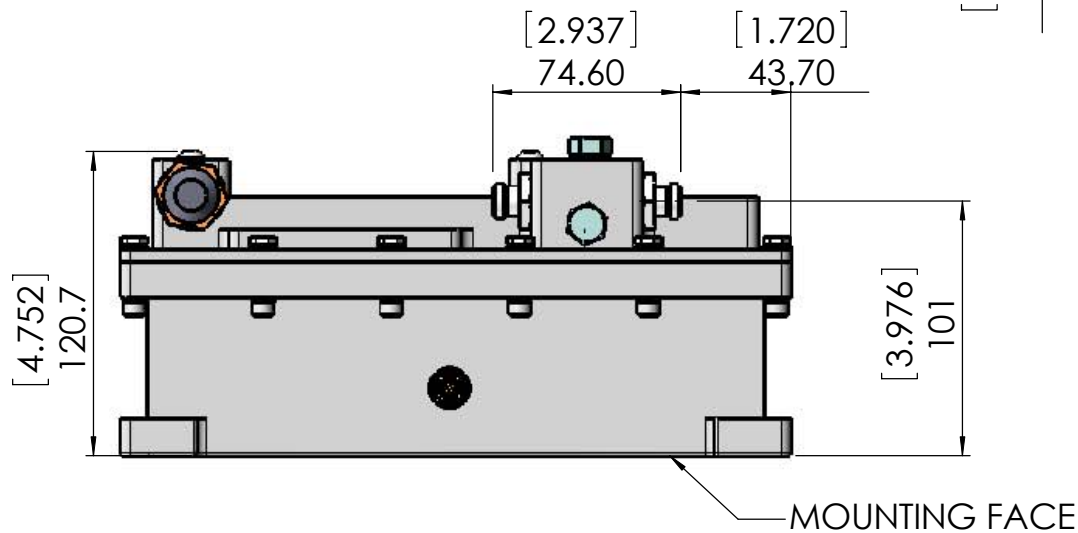
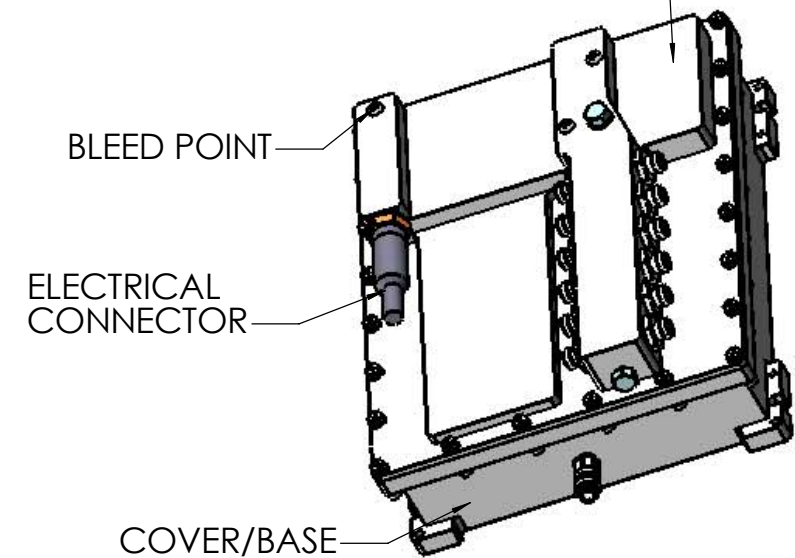
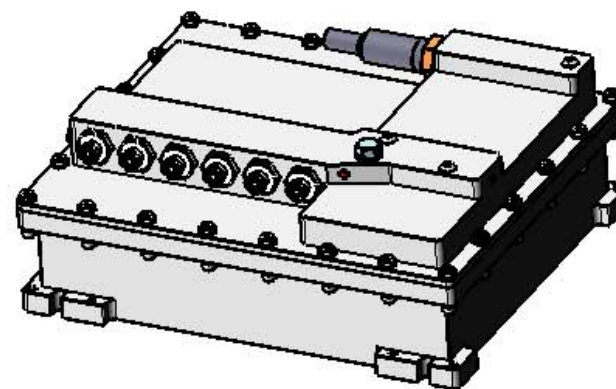


HYDRAULIC SCHEMATIC SEE 0272-WIS
ELECTRICAL SCHEMATIC SEE 0226-HYS



REV	BY	DATE	DESCRIPTION	APP
2	LZA	21/06/07	REPLACED CHECK VALVE	
B	CMI	07/02/01	ISSUED FOR INFORMATION	
A	EBR	29/01/01	ISSUED FOR INFORMATION	
RECORD OF REVISIONS				

MATERIAL	-	WT AIR	WT WATER
FINISH	-	kg (E)	kg (E)
USO, TOLERANCES TO BE	-		

sub-Atlantic

Unit 12, Airways Industrial Estate
Pitmedden Road, Dyce,
Aberdeen, U.K. AB21 0DT
Tel: ++44 (0) 1224 723623
Fax: ++44 (0) 1224 723822

SCALE (USO) 1 : 2.5

ORIG. SIZE A3

PROJECT	VALVE PACKS
TITLE	6 STATION COMBINED HPU VALVE PACK WITH P.O. CHECKS GENERAL ARRANGEMENT Sheet 1 of 1
DOC. No.	0934-GA
REV	2