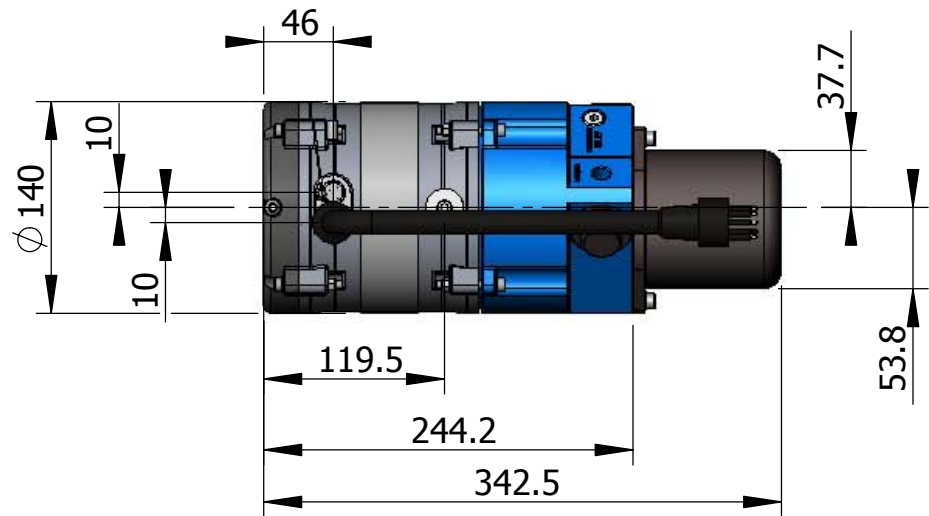


IF IN DOUBT - ASK!

REMOVE SHARP EDGES



VIEW ON ARROW A' SHOWING RETURN PORT

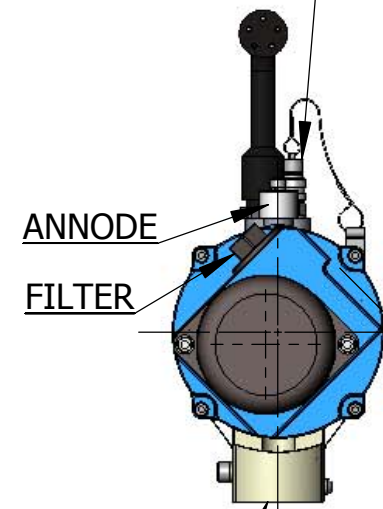
PRESSURE RELIEF VALVE

3/8 BSPP RETURN PORT

223.2

SERIES 21 1/8 BSPP COUPLING BODY WITH BLANKING PLUG ON LANYARD

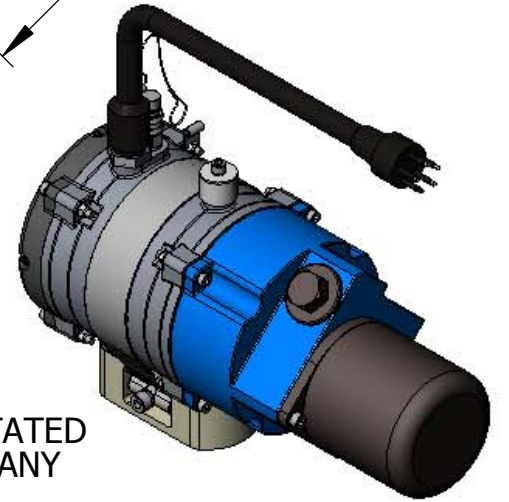
IMPULUSE 5 PIN (IL-5 MP) WHIP LENGTH 500mm OR 1000mm OTHER LENGTHS AVAILABLE ON REQUEST



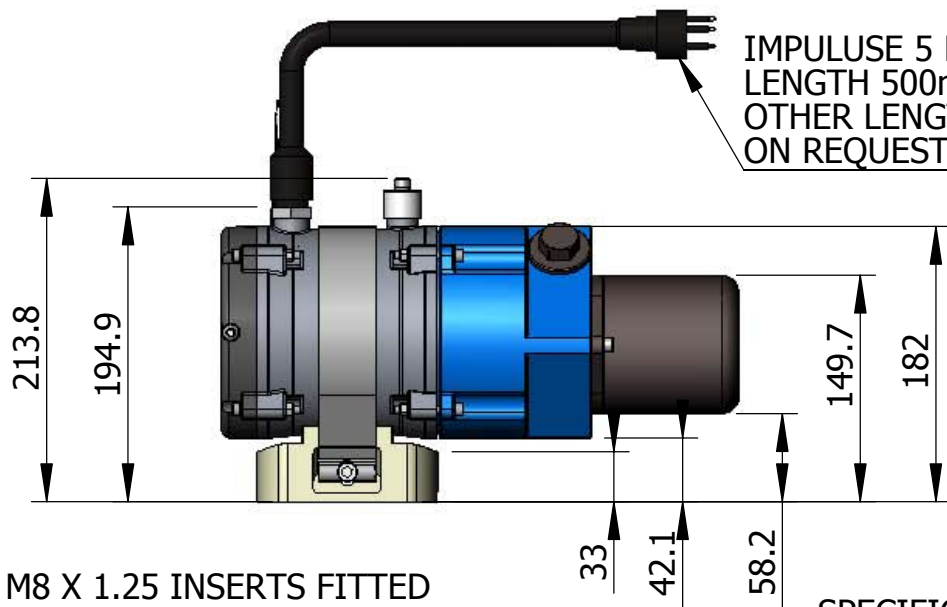
A

B

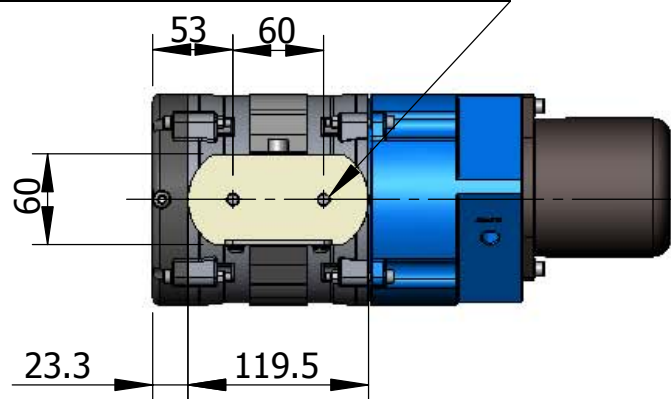
MOTOR CAN BE ROTATED ON CLAMP TO SUIT ANY ANGLE



ISOMETRIC VIEW



2 OFF M8 X 1.25 INSERTS FITTED 30mm OF THREAD ENGAGEMENT REQUIRED



SPECIFICATION

- MOTOR - 440VAC 3 PHASE
1.3 kW
- PUMP - FLOW - 4 LPM
MAX PRESSURE - 200 BAR
- OIL TYPE - MOTOR - TRANSFORMER DIALA GX OR TELLUS 22
(MOTOR DRAWS LESS CURRENT WITH DIALA GX)
- PUMP - TELLUS 32 OR 22 (TEMPERATURE DEPENDENT)
- PORTS - SUPPLY - 3/8" BSPP
RETURN - 3/8" BSPP

3/8 BSPP SUPPLY PORT

11.4

VIEW ON ARROW B' SHOWING SUPPLY PORT

REV	BY	DATE	DESCRIPTION	APP
1	DAN	03/10/2006	ISSUED FOR MANUFACTURE	
RECORD OF REVISIONS				

MATERIAL	WT AIR	WT WATER
	- kg (E)	- kg (E)
FINISH	DRAWN	DAN
	DATE	03/10/2006
USO, TOLERANCES TO BE	CHECK	AJA
	APPRV.	CMI
	ENGR.	DAN

sub-Atlantic
 Woodburn Road,
 Blackburn Business Park, Blackburn,
 Aberdeen. U.K. AB21 0PS
 Tel: ++44 (0) 1224 798660
 Fax: ++44 (0) 1224 798661
 SCALE (USO) **1:5** ORIG. SIZE **A3**

PROJECT	MINIATURE HPU
TITLE	CTE-O2 HPU GENERAL ASSEMBLY DRAWING Sheet 1 of 1
DOC. No.	3806-GA
REV	1