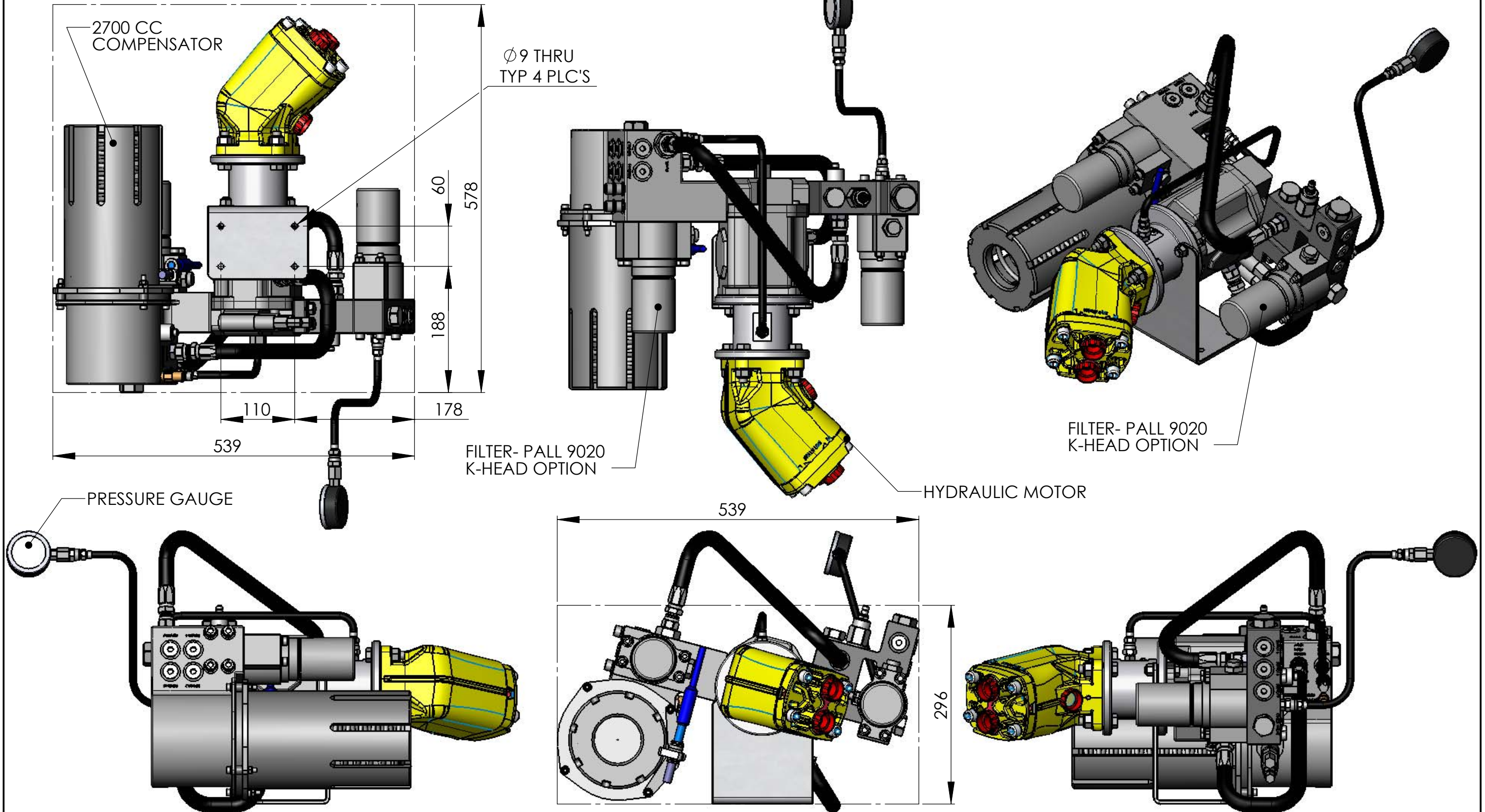


IF IN DOUBT - ASK!

REMOVE SHARP EDGES



REV	BY	DATE	DESCRIPTION	APP
1	AJA	11/04/2007	ISSUED FOR INFORMATION	
RECORD OF REVISIONS				

MATERIAL -	WT AIR	WT WATER
	- kg (E) -	kg (E)
FINISH -	DRAWN	AJA
	DATE	11/04/2007
USO, TOLERANCES TO BE	CHECK	CMI
	APPRV.	CMI
	ENGR.	AJA

sub-Atlantic

Woodburn Road,
Blackburn Business Park, Blackburn,
Aberdeen. U.K. AB21 0PS
Tel: +44 (0) 1224 798660
Fax: +44 (0) 1224 798661

SCALE (USO) ORIG. SIZE
A3

PROJECT	DIRTY OIL PACK
TITLE	DIRTY OIL PACK ASSEMBLY A10VS018-F125M GENERAL ASSEMBLY Sheet 1 of 1
DOC. No.	4038-GA
REV	1