

VALVE PACKS ARE AVAILABLE IN 6, 8, 12 & 16 STATION VERSIONS, EACH WITH OPTIONS FOR SOLENOID/PROPORTIONAL VALVES, PRESSURE SENSORS, ELECTRICAL CONNECTOR AND CONTROL SYSTEM.

REFER TO SHEET 2 FOR OPTIONS

	6 STATION	8 STATION	12 STATION	16 STATION
WEIGHT IN AIR FULL OF OIL (kg)	14.0	17.1	23.5	30.0
WEIGHT IN AIR FULL OF OIL (lbs)	30.9	37.7	51.8	66.1
WEIGHT IN SEA WATER (kg)	8.1	10.0	13.8	17.8
WEIGHT IN SEA WATER (lbs)	17.9	22.0	30.4	39.2
DISPLACEMENT (litres)	5.9	7.1	9.7	12.2
DISPLACEMENT (US pints)	12.4	15.1	20.5	25.9
COMPENSATION OIL VOLUME (litres)	1.5	1.8	2.5	3.1
COMPENSATION OIL VOLUME (US pints)	3.2	3.8	5.3	6.6

REV	BY	DATE	DESCRIPTION	APP
1	LZA	25/05/07	ISSUED FOR INFORMATION	

RECORD OF REVISIONS

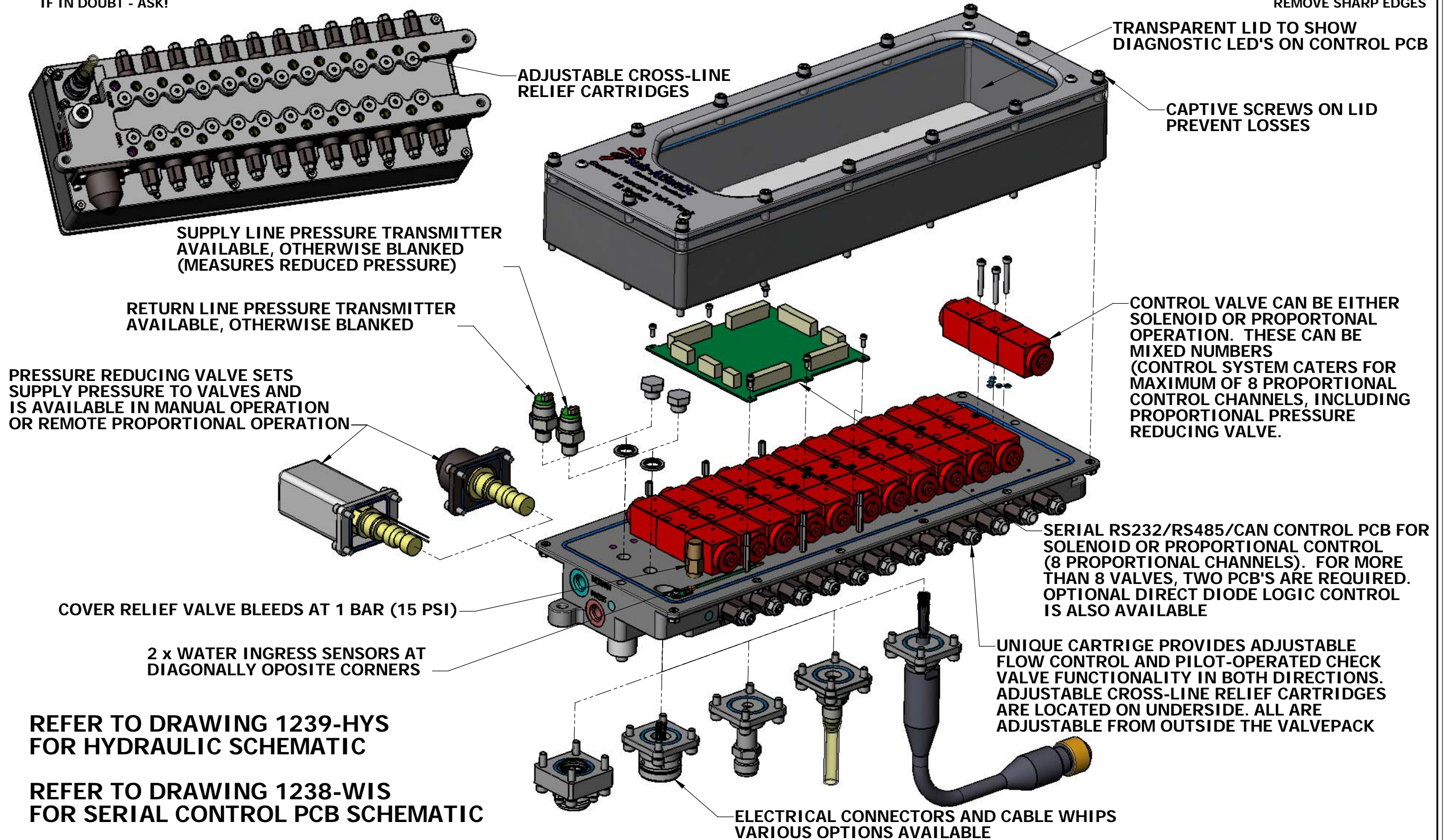
MATERIAL	HARD ANODISED ALUMINIUM ALLOY & STAINLESS STEEL	WT AIR	-	WT WATER	-
FINISH		DRAWN	LZA		
USO, TOLERANCES TO BE		DATE	25/05/07		
		CHECK	ABO		
		APPRV.	GDU		
		ENGR.	LZA		

Woodburn Road,
Blackburn Business Park, Blackburn,
Aberdeen, U.K. AB21 0PS
Tel: +44 (0) 1224 798660
Fax: +44 (0) 1224 798661
SCALE (USO) ORIG. SIZE

PROJECT	VALVE PACKS	
TITLE	GENERAL FUNCTION VALVE PACK TYPICAL OPTIONS GENERAL ARRANGEMENT DRAWING Sheet 1 of 2	
DOC. No.	4089-GA	REV 1

IF IN DOUBT - ASK!

REMOVE SHARP EDGES



REFER TO DRAWING 1239-HYS FOR HYDRAULIC SCHEMATIC

REFER TO DRAWING 1238-WIS FOR SERIAL CONTROL PCB SCHEMATIC

12 STATION GENERAL FUNCTION VALVE PACK SHOWN WITH VARIOUS CONFIGURATION OPTIONS AVAILABLE. OPTIONS ARE SIMILAR FOR 6, 8, 12 AND 16 STATION VERSIONS

DEDICATED PART NUMBERS ARE ALLOCATED TO SPECIFIC CUSTOMER SPECIFIED CONFIGURATIONS, EACH WITH UNIQUE BILL OF MATERIALS. REFER TO UNIQUE DRAWING NUMBERS

<p>Woodburn Road, Blackburn Business Park, Blackburn, Aberdeen. U.K. AB21 0PS Tel: +44 (0) 1224 798660 Fax: +44 (0) 1224 798661 SCALE (USO) - ORIG. SIZE A2</p>	PROJECT	VALVE PACKS	
	TITLE	GENERAL FUNCTION VALVE PACK TYPICAL OPTIONS GENERAL ARRANGEMENT DRAWING Sheet 2 of 2	
DOC. No.	4089-GA	REV	1